

800.364.7681



www.DOGIPOT.com

DOGIPOT® TRASH RECEPTACLE (ITEM #1206-L AND ITEM 1206A-L) SPECIFICATION, INSTALLATION AND OPERATION SHEET



YOUR STEEL OR ALUMINUM DOGIPOT® TRASH RECEPTACLE INCLUDES:

- 10 Gallon steel (ITEM 1206-L) or aluminum (ITEM 1206A-L) Trash Receptacle with attached hinged lid and trash liner bag retainer bands with mounting hardware (one (1) 2½" x ¼" and one (1) 2¾" x ¼" bolts, washers and locknuts)
- One (1) box **DOGIPOT®** Smart Liner Trash Bags™(ITEM #1404) (50 count)

PLEASE CHECK THE ABOVE INVENTORY AND CALL YOUR DISTRIBUTOR IF ANY PARTS ARE MISSING.

INSTALLATION AND OPERATION INSTRUCTIONS

1. Select a good visible spot in your community or park where you want to install the **DOGIPOT®** Trash Receptacle.
2. **Insert the mounting post (2" x 2" x 4') approximately 14" into an 18" deep by 8" diameter hole filled with a 40 lb. bag of "ready to use" concrete mix.** To stabilize the post while cementing, place a rod, bolt or other device through the two bottom holes, prior to inserting into the ground and cementing. Level the post in a straight vertical position and let concrete dry for at least 12 hours.
3. Install the Steel or Aluminum **DOGIPOT®** Trash Receptacle through the pre-drilled top oval holes in the back wall of the receptacle and through the square post with the bolts, washers and locknuts, using the 2¾" bolt on top and the 2½" bolt on bottom. The upper back wall of the trash receptacle is supposed to touch the head of the lower post bolt, which creates some space between the post and the receptacle allowing the receptacle lid to open from left to right without touching the post.

touching the post.

4. Insert one of the enclosed **DOGIPOT®** Smart Liner Trash Bags™ into the trash receptacle, folding it over the interior retainer bands. Proper installation and general maintenance will help expand the life of the trash receptacle. **DOGIPOT®** offers Product Maintenance Paint to help cover any paint chips which may occur in the powder coating during the life of the product.

5. ENJOY WATCHING PET OWNERS PICK UP AFTER THEIR DOGS!

• **STEEL (ITEM #1206-L) OR ALUMINUM (ITEM #1206A-L) TRASH RECEPTACLE WITH LID**

- H: 23" X 11.5" diameter
- 16 gauge powder coated forest green steel (ITEM #1206-L)
- 11 gauge powder coated forest green aluminum (ITEM #1206A-L)
- Weight: 14.6 lbs. (ITEM #1206-L) Weight: 7 lbs. (ITEM #1206A-L)
- Attached stainless steel hinged lid (ITEM #1206-L)
- Attached stainless steel hinged lid (ITEM #1206A-L)
- One (1) box 50 count **DOGIPOT®** Smart Liner Trash Bags™ (ITEM #1404) included (5 lbs.)

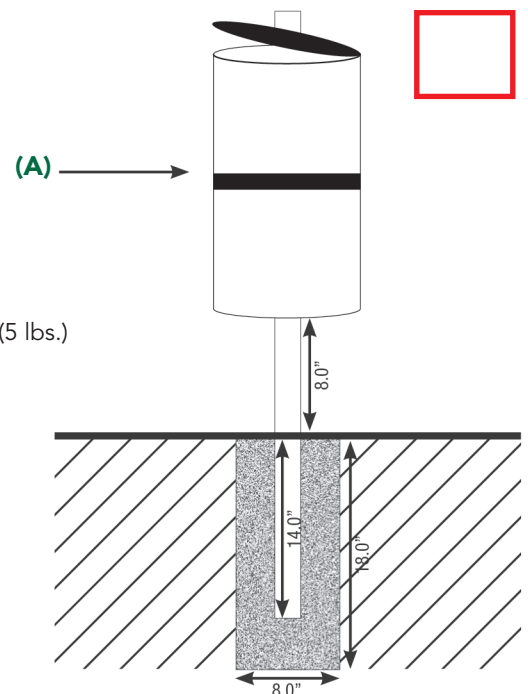
• **SPACE BETWEEN GROUND AND RECEPTACLE:**

- 8.0"

• **HOLE:**

- D: 18.0" x W: 8.0"
- Fill with 40 lbs. "ready to use" cement

**TOTAL SHIP WEIGHT: 23 LBS.
(MOUNTING HARDWARE INCLUDED)**



800.364.7681



www.DOGIPOT.com

POLY DOGIPOT® TRASH RECEPTACLE (ITEM #1208-L) SPECIFICATION, INSTALLATION AND OPERATION SHEET



YOUR POLY DOGIPOT® TRASH RECEPTACLE INCLUDES:

- 10 Gallon Poly **DOGIPOT®** Trash Receptacle with attached lid with mounting hardware (two (2) 2¾" x ¼" bolts, washers, fender washers and locknuts)
- One (1) box **DOGIPOT®** Smart Liner Trash Bags™ (ITEM #1404) (50 count)

PLEASE CHECK THE ABOVE INVENTORY AND CALL YOUR DISTRIBUTOR IF ANY PARTS ARE MISSING.

INSTALLATION AND OPERATION INSTRUCTIONS

1. Select a good visible spot in your community or park where you want to install the Poly **DOGIPOT®** Trash Receptacle.
2. **Insert the mounting post (2" x 2" x 4') approximately 14" into an 18" deep by 8" diameter hole filled with a 40 lb. bag of "ready to use" concrete mix.** To stabilize the post while cementing, place a rod, bolt or other device through the two bottom holes, prior to inserting into the ground and cementing. Level the post in a straight vertical position and let concrete dry for at least 12 hours.
3. Install the Poly **DOGIPOT®** Trash Receptacle through the pre-drilled holes in the back wall of the receptacle and through the square post with the bolts, washers and locknuts. **ATTACH THE LID TO THE TRASH RECEPTACLE PRIOR TO MOUNTING.** Use the 2" fender washers for installation on the inside of the receptacle. The trash receptacle lid will open to pre-determined angle to prevent it from being overextended. The receptacle lid will hit the post when it is fully opened.

4. Insert one of the enclosed **DOGIPOT®** Smart Liner Trash Bags™ into the trash receptacle, folding it over the edge of the receptacle and close the trash receptacle lid.

5. ENJOY WATCHING PET OWNERS PICK UP AFTER THEIR DOGS!

• POLY TRASH RECEPTACLE WITH LID

- H: 21" x W: 13" x D: 12"
- 2.5 mm ABS / PP forest green polyethylene
- Weight: 4 lbs.
- 10 gallon capacity
- Attachable hinged lid (ITEM #1210-N)
- One (1) box 50 count **DOGIPOT®** Smart Liner Trash Bags™ (ITEM #1404) included (5 lbs.)

• SPACE BETWEEN GROUND AND RECEPTACLE:

- 9.0"

• HOLE:

- D: 18.0" x W: 8.0"
- Fill with 40 lbs. "ready to use" cement

**TOTAL SHIP WEIGHT: 13 LBS.
(MOUNTING HARDWARE INCLUDED)**

